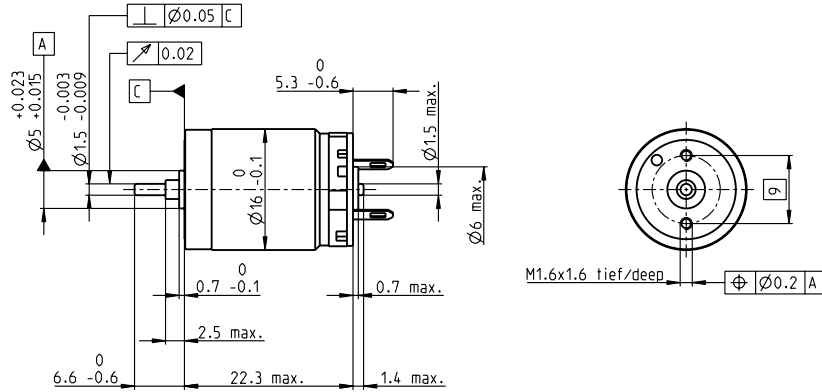
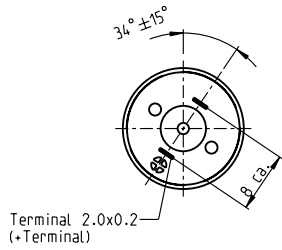


RE 16 Ø16 mm, Precious Metal Brushes CLL, 2 Watt



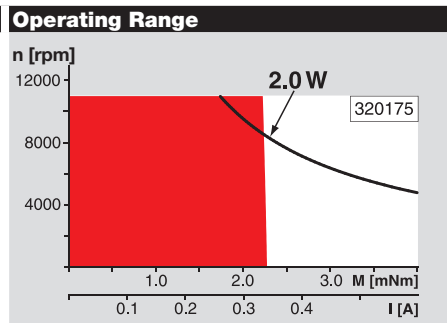
M 1:1

- Stock program
- Standard program
- Special program (on request)

Part Numbers							
320173	320174	320175	320176	320177	320178	320179	

Motor Data								
Values at nominal voltage								
1 Nominal voltage	V	1.8	3	6	9	12	18	24
2 No load speed	rpm	8230	8330	8480	8230	8090	7940	7760
3 No load current	mA	35.1	21.4	11	7.02	5.81	3.35	2.44
4 Nominal speed	rpm	6080	4730	4830	4580	4350	4140	3850
5 Nominal torque (max. continuous torque)	mNm	1.42	2.38	2.37	2.37	2.29	2.28	2.22
6 Nominal current (max. continuous current)	A	0.72	0.72	0.365	0.236	0.169	0.11	0.0783
7 Stall torque	mNm	5.46	5.55	5.55	5.4	5.01	4.81	4.45
8 Stall current	A	2.65	1.64	0.833	0.524	0.359	0.226	0.153
9 Max. efficiency	%	79	79	79	79	77	78	77
Characteristics								
10 Terminal resistance	Ω	0.679	1.83	7.2	17.2	33.4	79.8	157
11 Terminal inductance	mH	0.017	0.046	0.176	0.421	0.771	1.81	3.36
12 Torque constant	mNm/A	2.06	3.39	6.66	10.3	13.9	21.3	29.1
13 Speed constant	rpm/V	4640	2810	1430	927	685	448	328
14 Speed / torque gradient	rpm/mNm	1530	1520	1550	1550	1640	1680	1770
15 Mechanical time constant	ms	10.4	9.97	9.87	9.87	9.98	9.92	10.1
16 Rotor inertia	gcm ²	0.65	0.626	0.609	0.61	0.58	0.565	0.546

Specifications	
Thermal data	
17 Thermal resistance housing-ambient	40.6 K/W
18 Thermal resistance winding-housing	9.5 K/W
19 Thermal time constant winding	5.33 s
20 Thermal time constant motor	268 s
21 Ambient temperature	-20...+65°C
22 Max. winding temperature	+85°C
Mechanical data (sleeve bearings)	
23 Max. speed	11 000 rpm
24 Axial play	0.05 - 0.15 mm
25 Radial play	0.014 mm
26 Max. axial load (dynamic)	0.8 N
27 Max. force for press fits (static)	15 N
28 Max. radial load, 5 mm from flange	1.5 N



Comments

- Continuous operation**
In observation of above listed thermal resistance (lines 17 and 18) the maximum permissible winding temperature will be reached during continuous operation at 25°C ambient.
= Thermal limit.
- Short term operation**
The motor may be briefly overloaded (recurring).
- Assigned power rating**

Other specifications	
29 Number of pole pairs	1
30 Number of commutator segments	7
31 Weight of motor	21 g
CLL = Capacitor Long Life	
Values listed in the table are nominal. Explanation of the figures on page 151.	

maxon Modular System		Overview on page 20-27
Planetary Gearhead Ø16 mm 0.1 - 0.3 Nm Page 323		Encoder MR 32 CPT, 2 / 3 channels Page 388 Encoder MR 128 / 256 / 512 CPT, 2 / 3 channels Page 390
Planetary Gearhead Ø16 mm 0.2 - 0.6 Nm Page 324		
Spindle Drive Ø16 mm Page 365-367		
Recommended Electronics: Notes		Page 24
ESCON Module 24/2		416
ESCON 36/2 DC		416
EPOS2 24/2		424
EPOS2 Module 36/2		424
MAXPOS 50/5		435